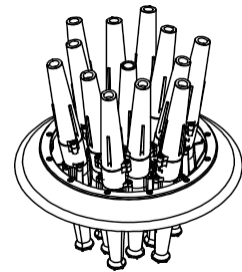
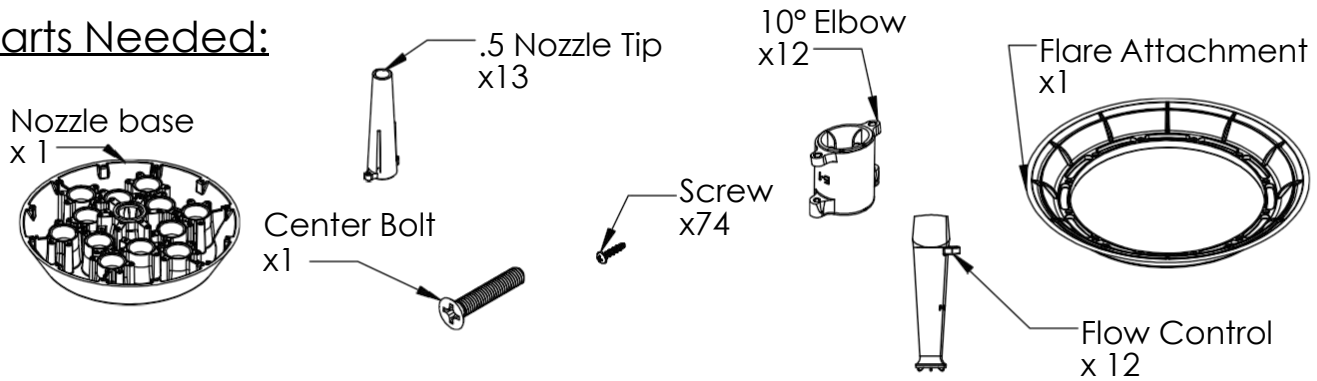


# Installing Extension Nozzles 1/9

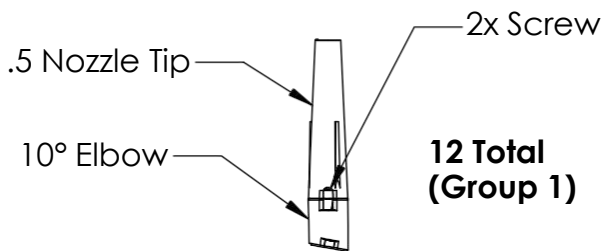
# Fusion Series: DELMAR



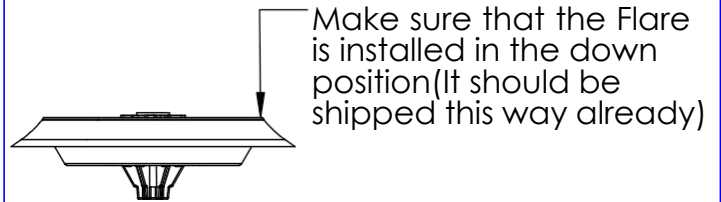
## Parts Needed:



## 1. Assemble Nozzle Groups:

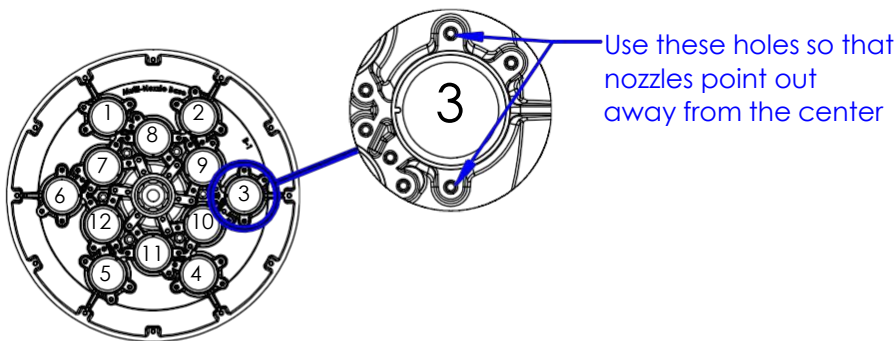


## 2. Install Flare:

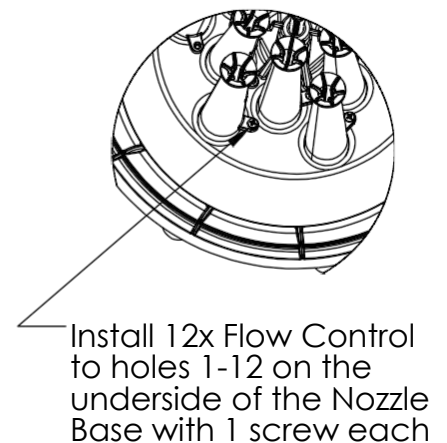


## 3. Install Nozzle Groups to Base

Install 12x *Group 1* Nozzles on holes 1-12

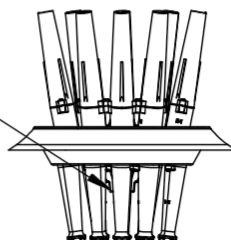


## 4. Install Flow Controls

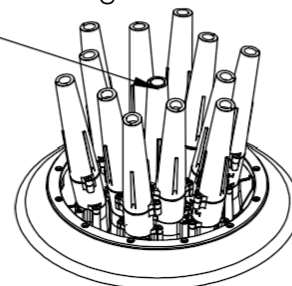


## 5. Attach Nozzle to the Unit

Next place the Nozzle Base on the outflow and secure with the center bolt

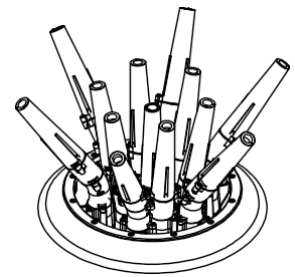


Finally attach a .5 Nozzle Tip to the center of the Nozzle Base using 2 screws



# Installing Extension Nozzles 2/9

# Fusion Series: DOUBLE ARCH



**Parts Needed:**

- Nozzle base x 1
- .5 Nozzle Tip x 12
- .6 Nozzle Tip x 1
- 10° Elbow x 12
- 25° Elbow x 6
- 1x Flare Attachment (already Installed)
- Bolt x 1
- Screw x 74
- Rubber Plug x 1

**1. Assemble Nozzle Groups:**

**Group 1 (6 total)**

**Group 2 (6 total)**

**Group 3 (1 total)**

**2. Install Nozzle Groups to Base**

Install 6x **Group 1** Nozzles on holes 7-12  
 Install 6x **Group 2** Nozzles on holes 1-6

Use these holes normally so that nozzles point straight away from the center

For a Twister setup install **Group 1** using the rotated (45°) holes shown here

**3. Attach the Nozzle Base**

For a Stationary Pattern:

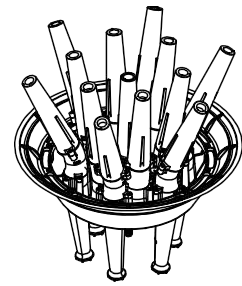
Secure the Nozzle Base to the Unit using the bolt that goes through the center hole

Next secure the Center Nozzle (**Group 3**) to the center hole

For a Twister:  
 Follow the instructions detailed on the "Installing Twister Module" page

# Installing Extension Nozzles 3/9

## Fusion Series: DOUBLE ARCH LILY



**Parts Needed:**

- Nozzle base x 1
- Center Bolt x 1
- .5 Nozzle Tip x 12
- .6 Nozzle Tip x 1
- 10° Elbow x 6
- 25° Elbow x 6
- Screw x 68
- Washer x 11
- Flare Attachment x 1
- Rubber Plug x 1
- Flow Control x 6

**1. Assemble Nozzle Groups:**

**Group 1 (6 Total)**

- .5 Nozzle Tip
- 10° Elbow
- 2x Screw

**Group 2 (6 Total)**

- .5 Nozzle Tip
- 2x Screw
- 25° Elbow

**2. Install Flare:**

- 12x Screws
- Flare
- Nozzle Base

**3. Install Nozzle Groups to Base**

Install 6x Group 1 Nozzles on holes 7-12  
Install 6x Group 2 Nozzles on holes 1-6

Use these holes so that nozzles point out away from the center

For a Twister setup install Group 1 using the rotated (45°) screw locations for holes 7-12

**4. Install Flow Controls**

Install 6x Flow Control to holes 1-6 on the underside of the Nozzle Base with 1 screw each

**5. Attach Nozzle to the Unit**

Stack 11 washers in the cup of the Outflow

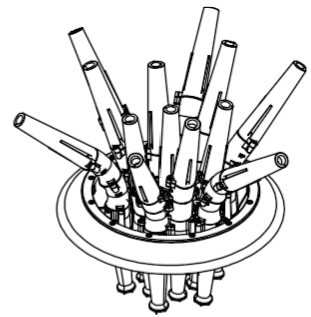
Next place the Nozzle Base on the Outflow and secure with the center bolt

Finally attach a plugged .6 Nozzle tip to the center of the Nozzle Base using 2 screws

Plug through bottom

# Installing Extension Nozzles 4/9

# Fusion Series: PENTALATOR



**Parts Needed:**

- Nozzle base x 1
- .5 Nozzle Tip x13
- 10° Elbow x12
- 25° Elbow x9
- Center Bolt x1
- Screw x92
- Flow Control x12
- Flare Attachment x1

**1. Assemble Nozzle Groups:**

**Group 1 (3 total)**

**Group 2 (3 total)**

**Group 3 (3 total)**

**Group 4 (3 total)**

**2. Install Flare:**

Make sure the Flare is installed in the down position (it should be shipped this way already)

Attach with x12 screws

**3. Install Nozzle Groups to Base**

Install 3x **Group 1** Nozzles on holes 7,9,11  
 Install 3x **Group 2** Nozzles on holes 8,10,12  
 Install 3x **Group 3** Nozzles on holes 1,3,5  
 Install 3x **Group 4** Nozzles on holes 2,4,6

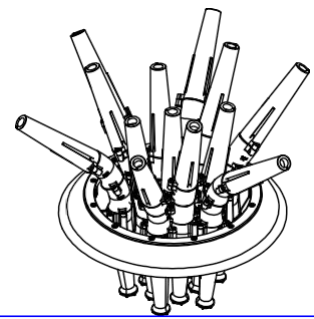
Use these holes so that nozzles point out away from the center

For a Twister setup install Group 1 using the rotated (45°) screw locations for holes 7,9,11

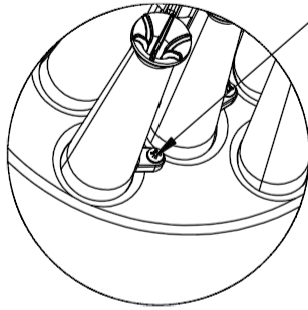


# Installing Extension Nozzles 4/9 -continued-

# Fusion Series: PENTALATOR



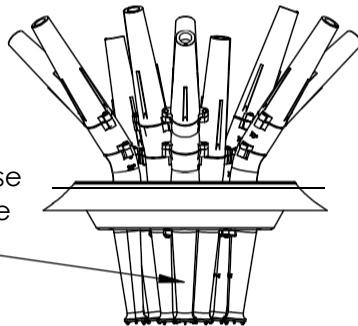
## 4. Install Flow Controls



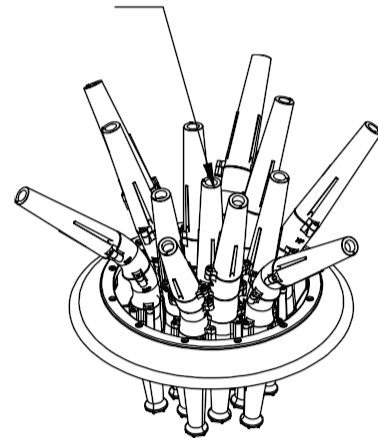
Install 12 x Flow Controls to holes 1-12 on the underside of the Nozzle Base with 1 screw each

## 5. Attach Nozzle Base to the Unit

Next place the Nozzle Base on the Outflow and secure with the center bolt

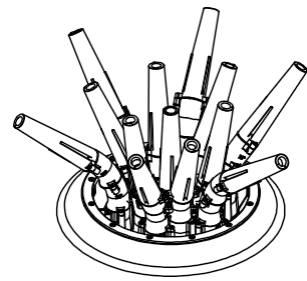


Finally attach the .5 Nozzle Tip to the center of the Nozzle Base using 2 screws



# Installing Extension Nozzles 5/9

# Fusion Series: QUAD



**Parts Needed:**

- Nozzle base x 1
- .5 Nozzle Tip x12
- .6 Nozzle Tip x 1
- 10° Elbow x6
- 25° Elbow x12
- Flare Attachment x1
- Center Bolt x1
- Screw x74
- Rubber Plug x1

**1. Assemble Nozzle Groups:**

- Group 1 (3 total):** .5 Nozzle Tip, 2x Screw, 10° Elbow
- Group 2 (3 total):** .5 Nozzle Tip, 2x Screw, 25° Elbow
- Group 3 (3 total):** .5 Nozzle Tip, 2x Screw, 10° Elbow, 2x Screw, 25° Elbow
- Group 4 (3 total):** .5 Nozzle Tip, 2x Screw, 25° Elbow, 2x Screw, 25° Elbow

**2. Install Flare:**

Make sure the Flare is installed in the down position (it should be shipped this way already)

Attach with x12 screws

**3. Install Nozzle Groups to Base**

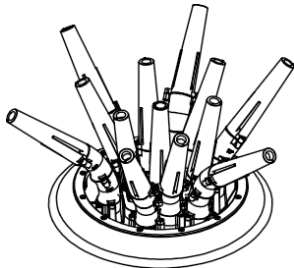
Install 3x **Group 1** Nozzles on holes 7,9,11  
 Install 3x **Group 2** Nozzles on holes 8,10,12  
 Install 3x **Group 3** Nozzles on holes 1,3,5  
 Install 3x **Group 4** Nozzles on holes 2,4,6

Use these holes so that nozzles point out away from the center

For a Twister setup install Group 1 using the rotated(45°) screw locations for holes 7,9,11

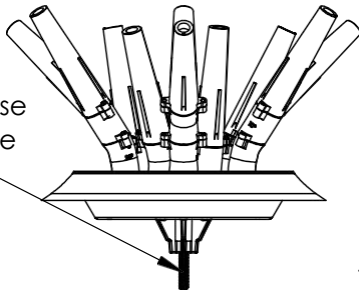
# Installing Extension Nozzles 5/9 -continued-

# Fusion Series: QUAD



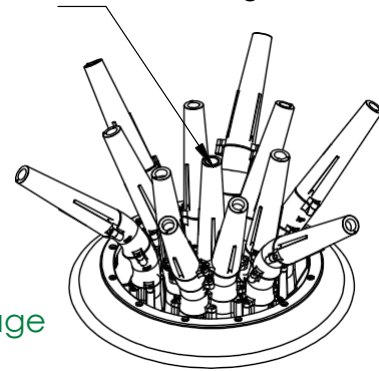
## 4. Attatch Nozzle Base to the Unit

Next place the Nozzle Base on the Outflow and secure with the center bolt



Plug through bottom

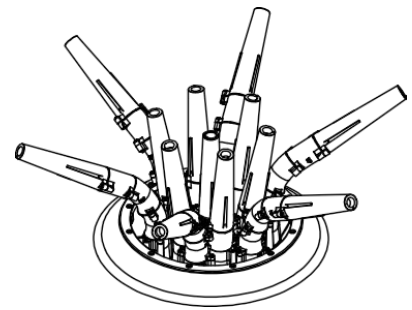
Finally attach the plugged .6 Nozzle Tip to the center of the Nozzle Base using 2 screws



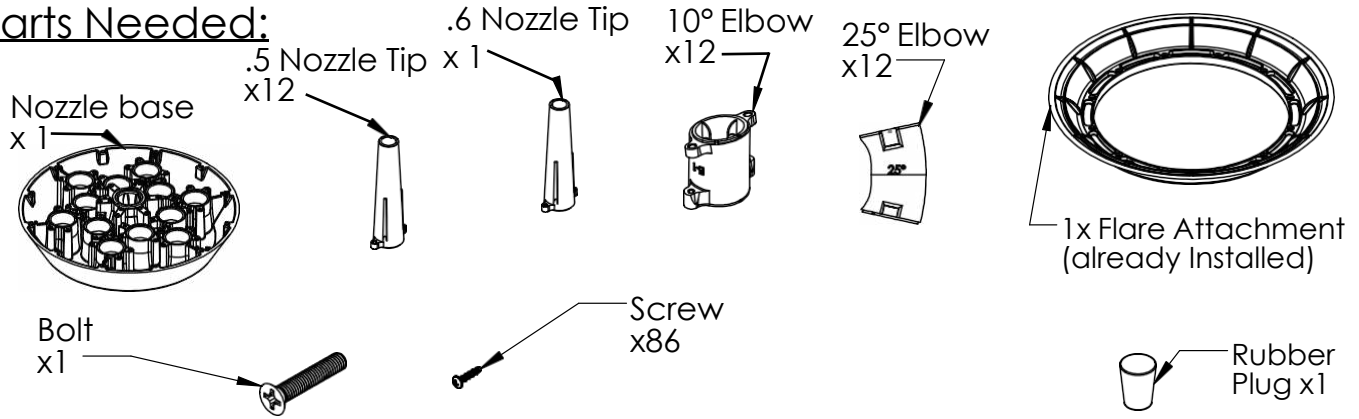
For a Twister:  
Follow the instructions on the "Installing Twister Module" page

# Installing Extension Nozzles 6/9

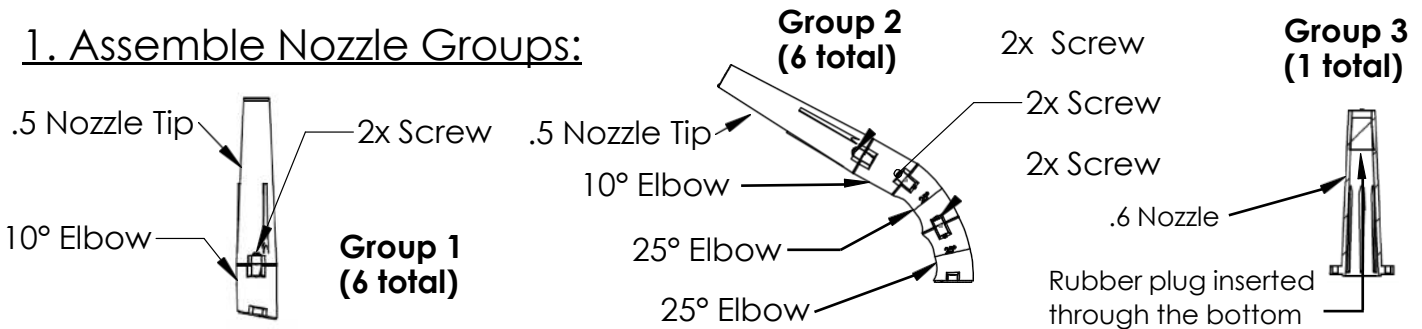
## Fusion Series: SPIDER & ARCH



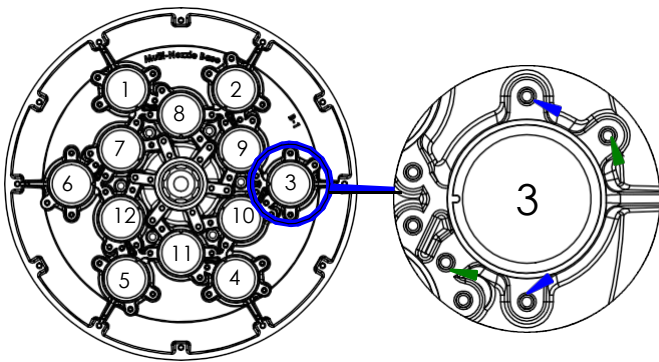
### Parts Needed:



### 1. Assemble Nozzle Groups:



### 2. Install Nozzles Groups to Base

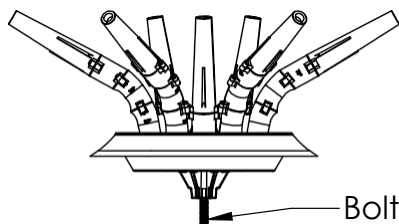


Install 6x **Group 1** Nozzles on holes 7-12  
 Install 6x **Group 2** Nozzles on holes 1-6

Use these holes so that nozzles point out away from the center

For a Twister setup install **Group 1** using the rotated (45°) holes shown here

### 3. Attach the Nozzle Base



For a Stationary Pattern:

Secure the Nozzle Base to the Unit using the bolt that goes through the center hole

Next secure the Center Nozzle (**Group 3**) to the center hole

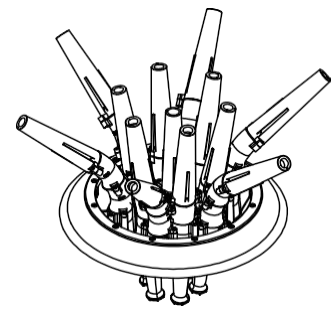
For a Twister:

Follow the instructions detailed on the "Installing Twister Module" page

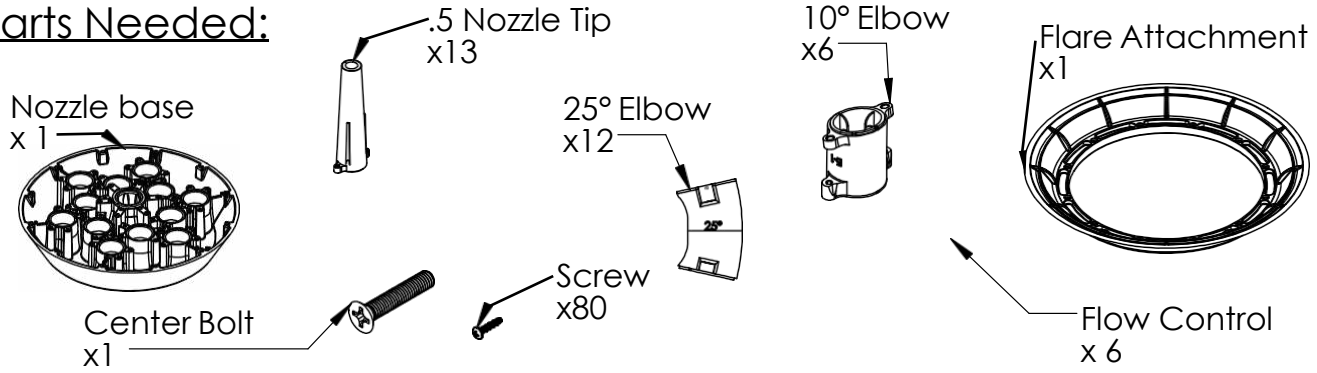


# Installing Extension Nozzles 7/9

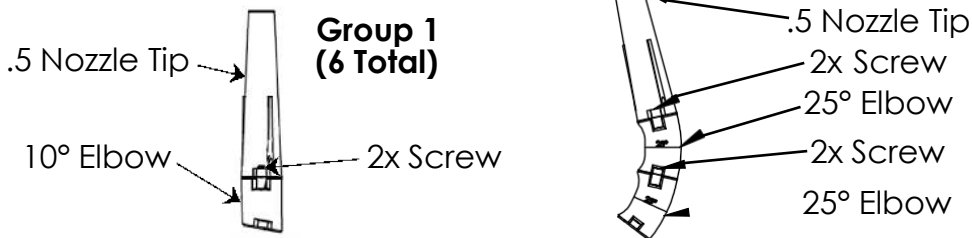
# Fusion Series: TIARA



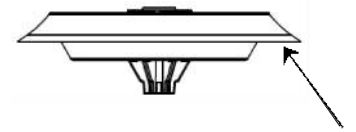
## Parts Needed:



## 1. Assemble Nozzle Groups:



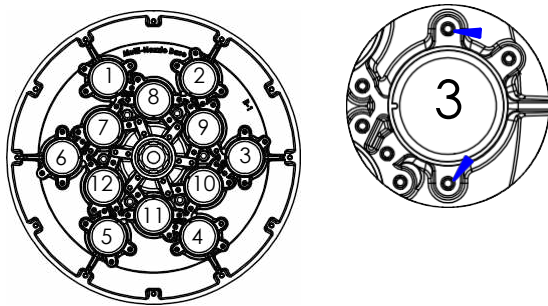
## 2. Install Flare:



Make sure that the Flare is installed in the down position (It should be shipped this way already)

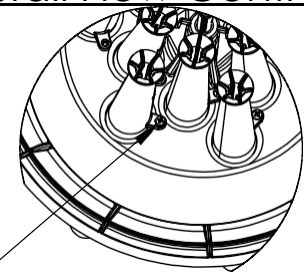
## 3. Install Nozzle Groups to Base

Install 6x Group 1 Nozzles on holes 7-12  
Install 6x Group 2 Nozzles on holes 1-6



Use these holes so that nozzles point out away from the center

## 4. Install Flow Controls

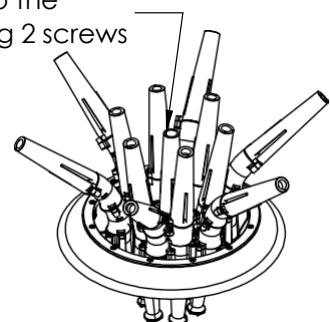
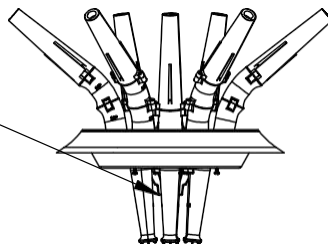


Install 6x Flow Control to holes 7-12 on the underside of the Nozzle Base with 1 screw each

## 5. Attach Nozzle to the Unit

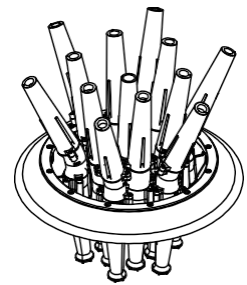
Finally attach a .5 Nozzle tip to the center of the Nozzle Base using 2 screws

Next place the Nozzle Base on the Outflow and secure with the center bolt



# Installing Extension Nozzles 8/9

# Fusion Series: TRILLIUM



**Parts Needed:**

- Nozzle base x 1
- .5 Nozzle Tip x 6
- .6 Nozzle Tip x 7
- 10° Elbow x 6
- 25° Elbow x 6
- Flare Attachment x 1
- Center Bolt x 1
- Screw x 74
- Flow Control x 12

**1. Assemble Nozzle Groups:**

**Group 1  
(6 Total)**

.5 Nozzle Tip  
10° Elbow  
2x Screw

**Group 2  
(6 Total)**

.6 Nozzle Tip  
2x Screw  
25° Elbow

**2. Install Flare:**

Make sure that the Flare is installed in the down position (It should be shipped this way already)

**3. Install Nozzle Groups to Base**

Install 6x Group 1 Nozzles on holes 7-12  
Install 6x Group 2 Nozzles on holes 1-6

Use these holes so that nozzles point out away from the center

For a Twister setup install Group 1 using the rotated (45°) screw locations for holes 7-12

**4. Install Flow Controls**

Install 12x Flow Control to holes 1-12 on the underside of the Nozzle Base with 1 screw each

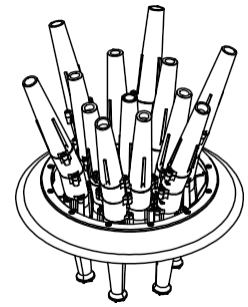
**5. Attach Nozzle to the Unit**

Next place the Nozzle Base on the Outflow and secure with the center bolt

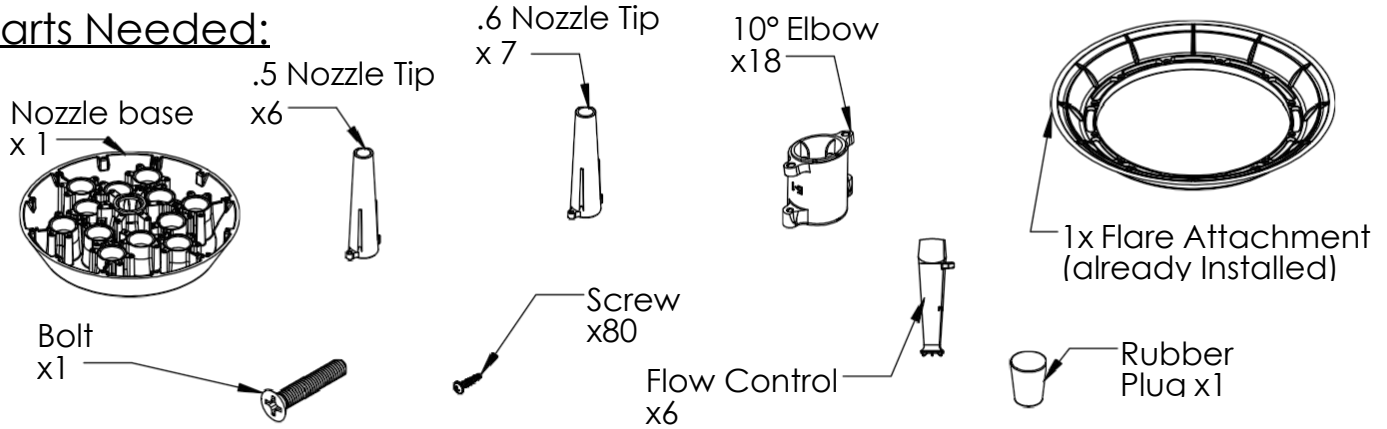
Finally attach a .6 Nozzle tip to the center of the Nozzle Base using 2 screws

# Installing Extension Nozzles 9/9

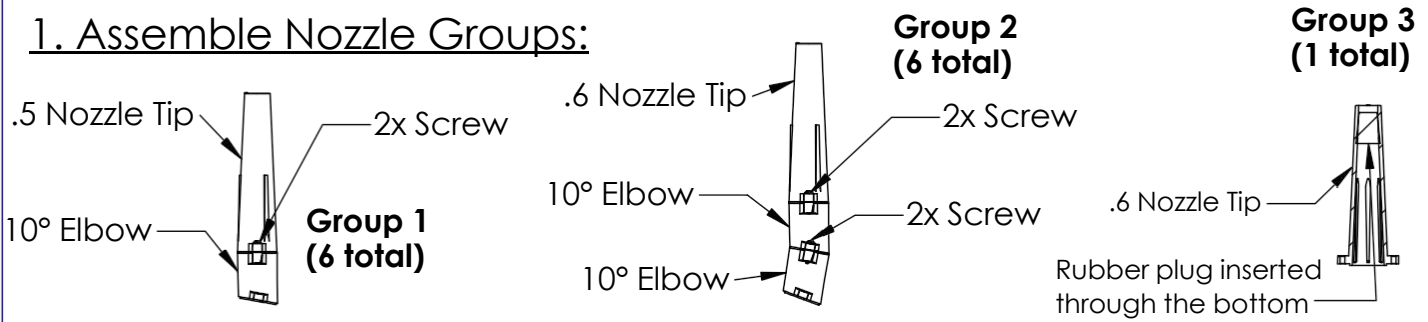
# Fusion Series: WEEPING WILLOW



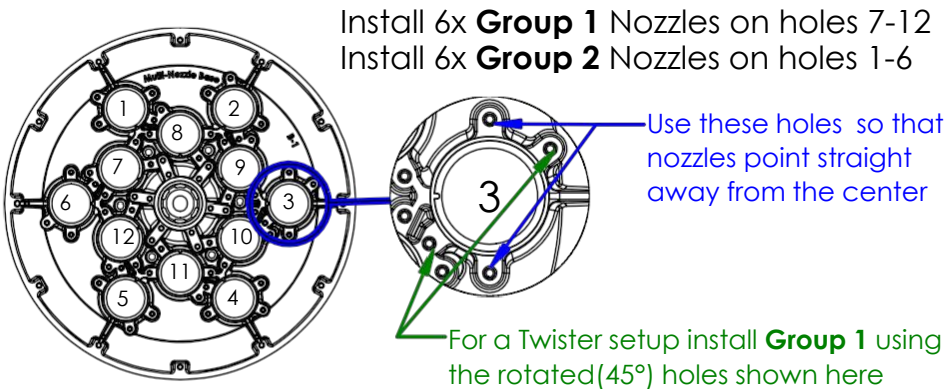
## Parts Needed:



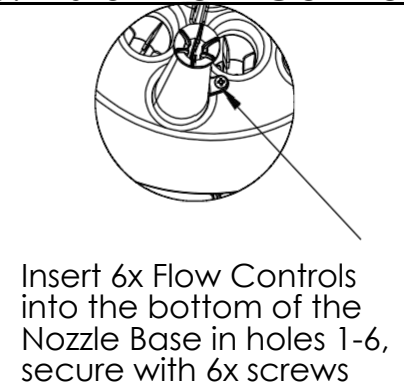
## 1. Assemble Nozzle Groups:



## 2. Install Nozzles Groups to Base

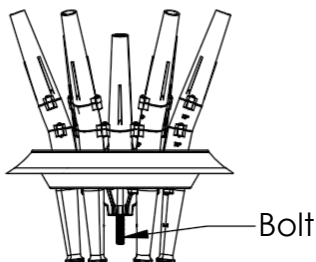


## 3. Install Flow Control



## 4. Attach the Nozzle Base

For a Stationary Pattern:



Secure the Nozzle Base to the Unit using the bolt that goes through the center hole

Next secure the Center Nozzle (**Group 3**) to the center hole

For a Twister:

Follow the instructions detailed on the "Installing Twister Module" page